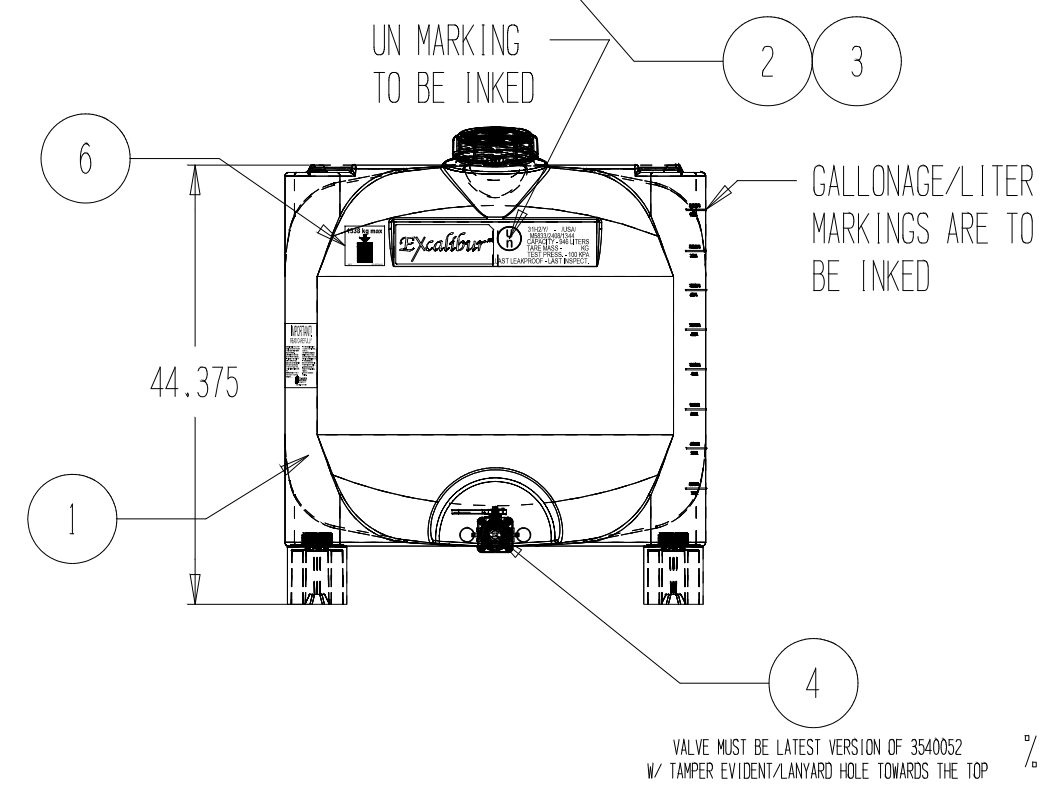
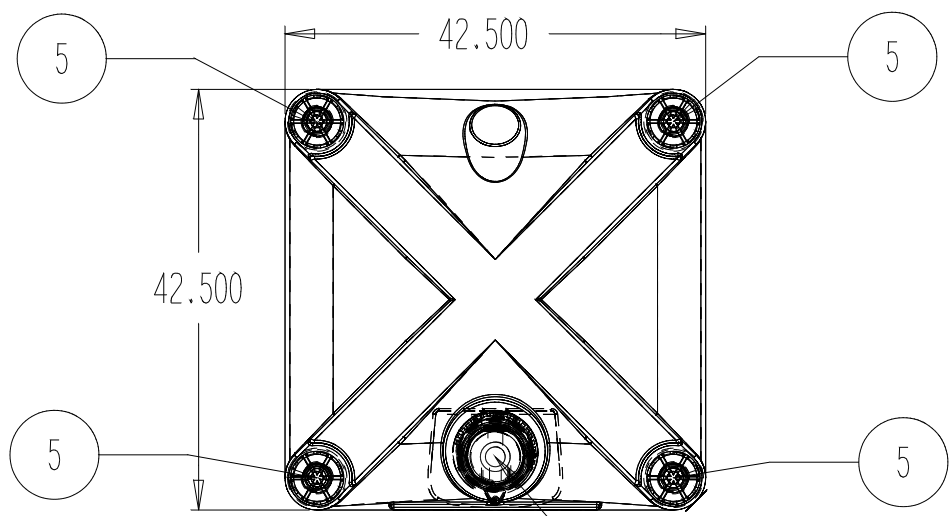


U.N. MARKING PER B6423 READS



31H2/Y/ - /USA/  
 M5833/2408/1338  
 CAPACITY - 946 LITERS  
 TARE MASS - KG  
 TEST PRESS. - 100 KPA  
 LAST LEAKPROOF - LAST INSPECT.

SNYDER INDUSTRIES INC.



\* DENOTES THAT A CUTSHEET EXISTS FOR THIS ITEM IN THE I.B.C. CUTSHEET MANUAL DATABASE.  
 % DENOTES THAT THIS IS A LINE ITEM ON THE ORDER.

16	X	X	X
15	X	X	X
14	X	X	X
13	X	X	X
12	X	X	X
11	X	X	X
10	X	X	X
9	STD IBC ASSEMBLY KIT - NO BAG	1	34701648
8	X	X	X
7	X	X	X
6	DECAL STACK RATING 1338 - 250 EXCALII	1	99700542
* 5	EXCALII FOOT PE BLACK	4	34300341
* 4	ASM VALVE 2IN 4-BOLT STUBBY	1	34700718
* 3	ASM VENT PE 2IN VACUUM SII W/EPDM	1	34700822
* 2	CAP 6IN HDLPE W/2IN NPS W/EPDM	1	34300314
% * 1	ASM TK 250 EXCAL 2 HD/NAT 1.35 EPDM STD	1	6520000B96003
ITEM#	DESCRIPTION	QTY.	P/N

VALVE MUST BE LATEST VERSION OF 3540052  
 W/ TAMPER EVIDENT/LANYARD HOLE TOWARDS THE TOP

ALL DIMENSIONS ARE NOMINAL AND SUBJECT TO CHANGE WITHOUT NOTICE.

© SNYDER INDUSTRIES, INC., 2012

SNYDER INDUSTRIES INC. CLAIMS PROPRIETARY RIGHTS IN THE MATERIAL DISCLOSED HEREON. NEITHER THIS DRAWING NOR ANY PRODUCTION THEREOF MAY BE USED TO MANUFACTURE ANYTHING SHOWN HEREON WITHOUT PERMISSION IN WRITING FROM SNYDER INDUSTRIES INC. TO USER SPECIFICALLY REFERRING TO THIS DRAWING.

PART # TANK: 6520000B96003

250 EXCALIBUR 2 1.35 STD

P.O.#  
 REF#: 00000

01/23/2013